



3+



48



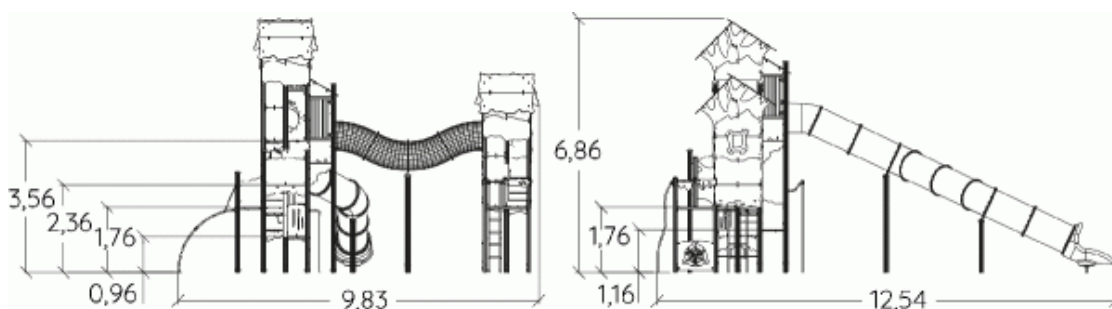
2,37m



1 = 12,54m  
2 = 9,83m  
3 = 6,86m



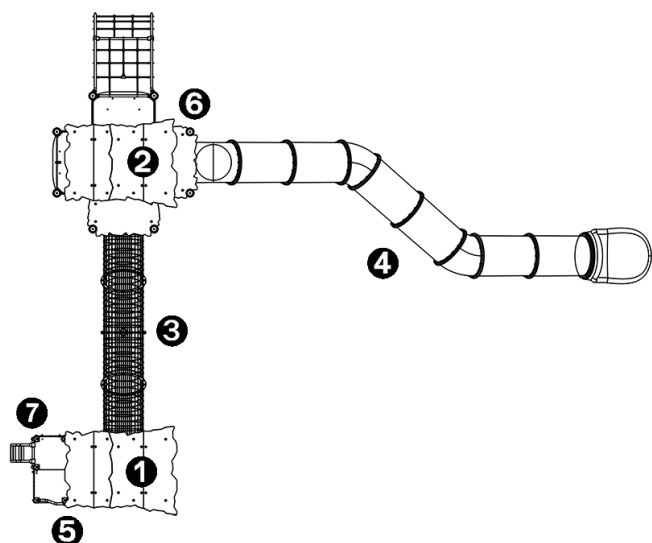
Physical inclusion  
Sensory inclusion  
Cognitive inclusion



Play value : **25**

| role play           | sliding            | meeting  | handling       | crawling | hiding | taking shelter | thinking |
|---------------------|--------------------|----------|----------------|----------|--------|----------------|----------|
|                     |                    |          |                |          |        |                |          |
| x3                  | x2                 | x2       | x1             | x1       | x2     | x4             | x1       |
| tactile stimulation | visual stimulation | climbing | getting across |          |        |                |          |
|                     |                    |          |                |          |        |                |          |
| x1                  | x1                 | x6       | x1             |          |        |                |          |



## Components

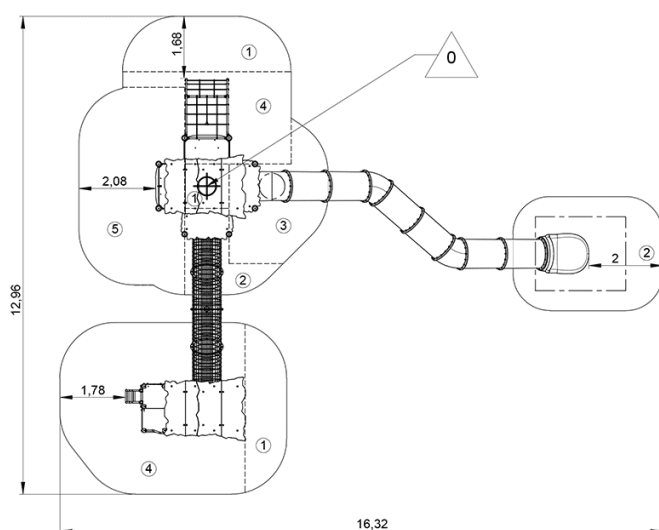


- ❶ Tree tower - 2 levels H: 3.17m
- ❷ Tree tower - 4 levels H: 3.57m
- ❸ Rigid steel mesh tunnel H: 3.17m
- ❹ Tubular slide H: 3.57m
- ❺ Animal panel
- ❻ Sliding pole H: 1.17m
- ❼ Curved ladder

## Installation of equipment

**IMPORTANT:** It is essential to refer to the installation instructions for information on the size of the safety areas.

-  Impact area (minimum normative surface)
-  Free space



|   |       |                    |
|---|-------|--------------------|
| 1 | <0,6m | 12m <sup>2</sup>   |
| 2 | 1m    | 15,5m <sup>2</sup> |
| 3 | 1,5m  | 7,5m <sup>2</sup>  |
| 4 | 1,77m | 30m <sup>2</sup>   |
| 5 | 2,37m | 15m <sup>2</sup>   |



2

55h00

3.5m<sup>3</sup>

80m<sup>2</sup>

2721kg

53kg

EN

1176