



2+



33



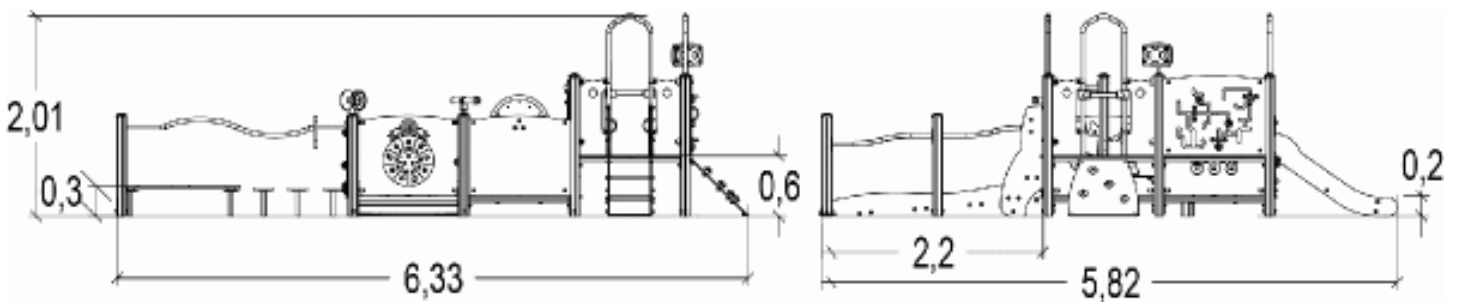
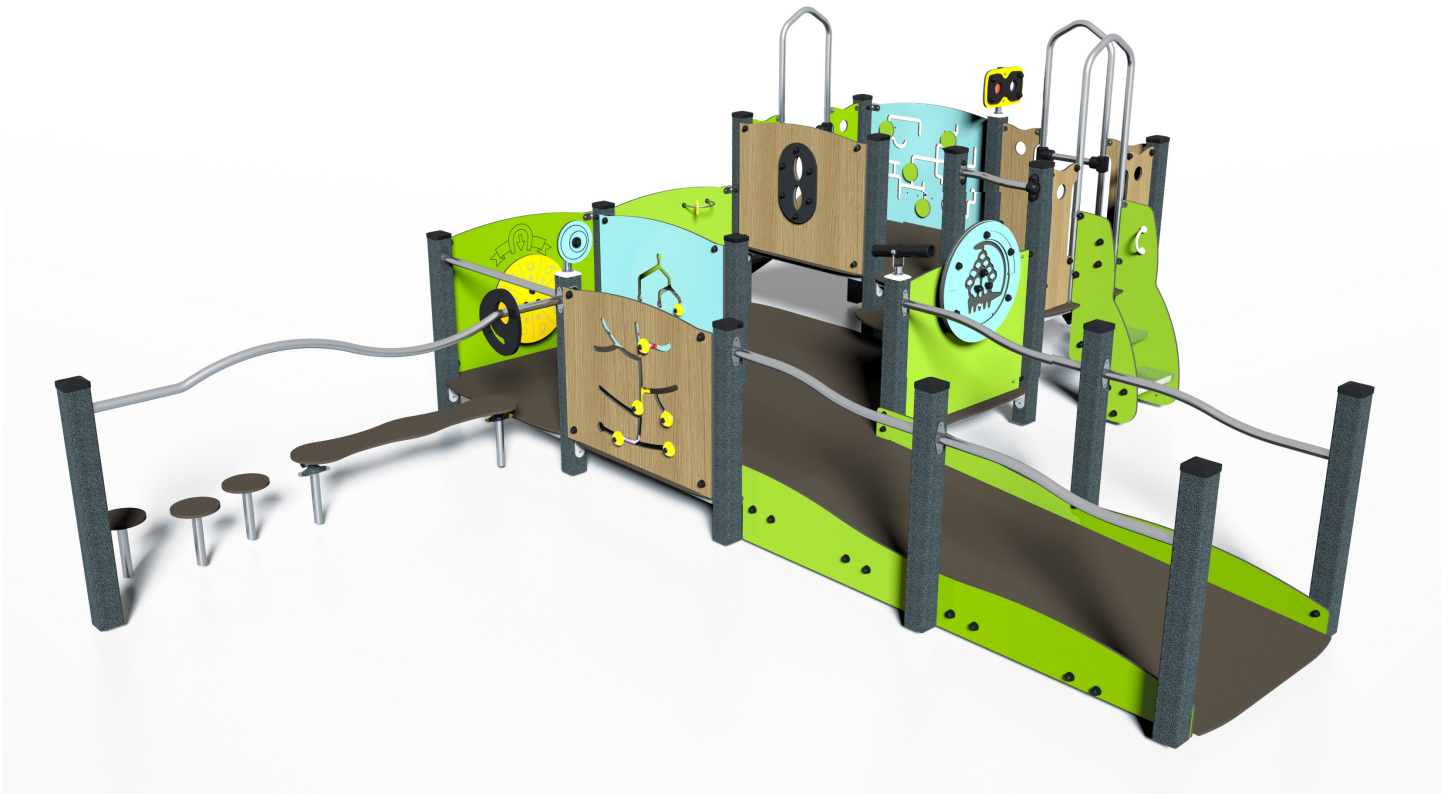
1m



1 = 6,28m  
2 = 5,77m  
3 = 2,01m



Physical inclusion  
Sensory inclusion  
Cognitive inclusion



Play value : **62**

climbing



x1

role play



x9

sliding



x1

meeting



x7

handling



x13

balancing



x1

thinking



x7

tactile stimulation



x13

visual stimulation



x5

climbing



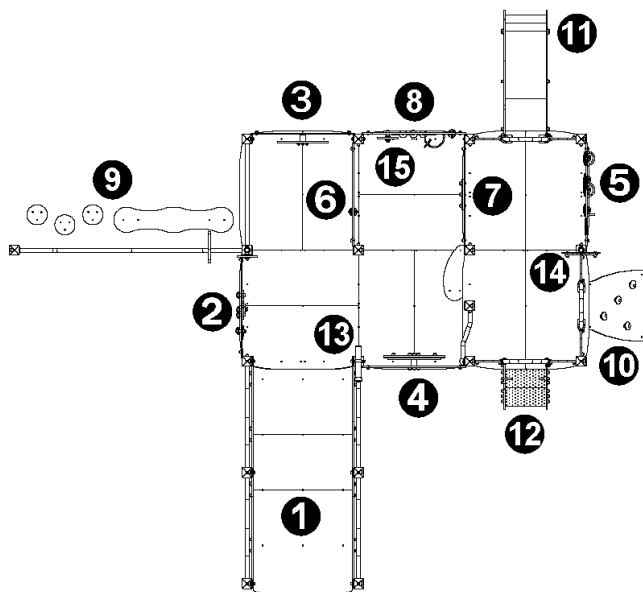
x3

getting across



x2



## Components

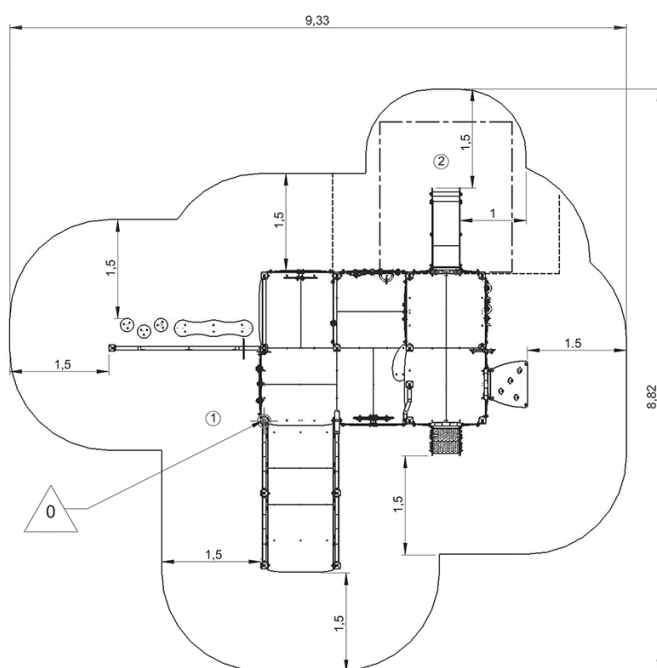


- 1 Access ramp
- 2 Flower panel
- 3 Lottery Panel
- 4 The Pachinko Play Panel
- 5 'Maze' board
- 6 Triple play panel
- 7 Coloured porthole
- 8 Animal panel
- 9 Play Trail
- 10 Slope
- 11 Slide HT: 0.6m
- 12 Steps
- 13 Telescope
- 14 Coloured binoculars
- 15 Spinning disc

## Installation of equipment

**IMPORTANT:** It is essential to refer to the installation instructions for information on the size of the safety areas.

-  Impact area (minimum normative surface)
-  Free space



1	0,6m	46m <sup>2</sup>
2	1m	9m <sup>2</sup>



2



34h00



0.7m<sup>3</sup>



55m<sup>2</sup>



759kg



22kg

EN

1176