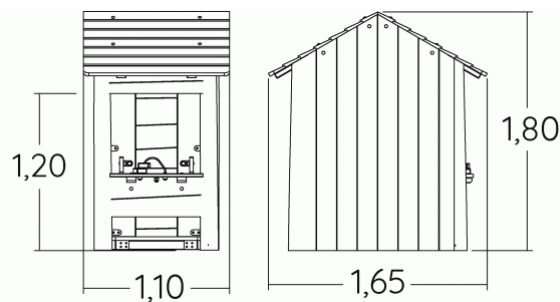


Physical inclusion  
Sensory inclusion  
Cognitive inclusion



Play value :

6

role play



x1

meeting



x1

resting



x1

handling



x1

taking shelter



x1


tactile stimulation



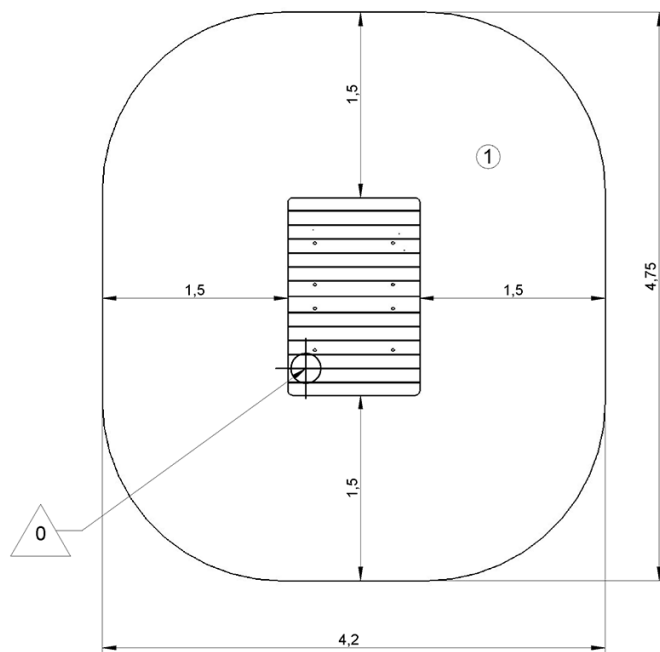
x1



## Installation of equipment

**IMPORTANT:** It is essential to refer to the installation instructions for information on the size of the safety areas.

 Impact area (minimum normative surface)

 Free space



		
1	<0,6m	18,5m <sup>2</sup>



2



4h00



0m<sup>3</sup>



18.5m<sup>2</sup>



271kg



271kg

