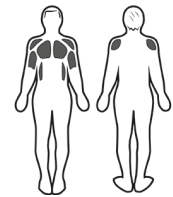
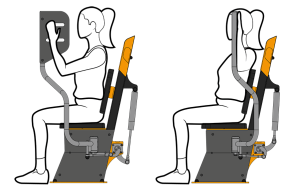




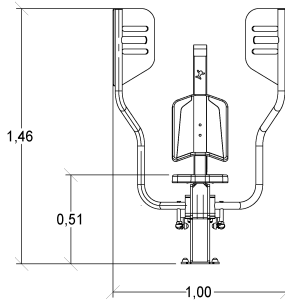
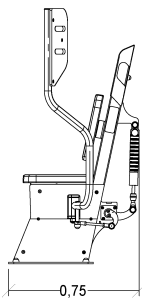
Sports formula



Muscular stimulation



Movements



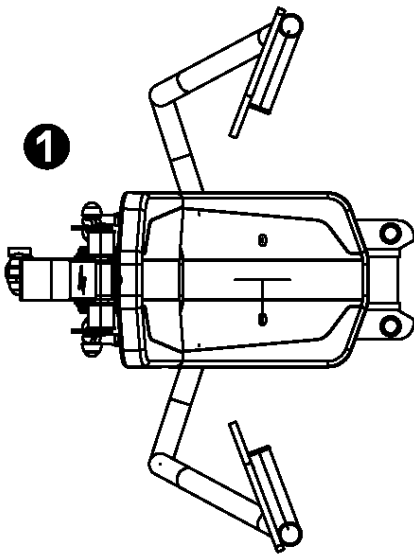
► **Sports activities : 1**

Resistance



x1

► **Components**



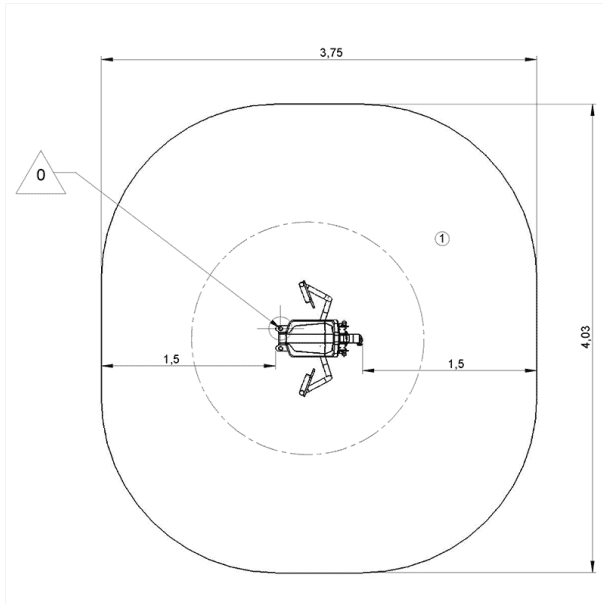
① BUTTERFLY



► **Installation of equipment**

IMPORTANT: It is essential to refer to the installation instructions for information on the size of the safety areas.

———— Impact area (minimum normative surface)

- - - - - Free space



		
1	<0,6m	13,5m²



2



01h00



0.14m³



13.5m²



75kg



59kg



► **Environmental Indicators**

Repairability



9,17 /10

Carbon footprint



3,64 KgCO2/Kg

Recyclable materials



75,00%

ECO materials: 38%

Recycled materials



38,89%

Bio-sourced materials



0,00%