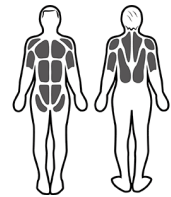
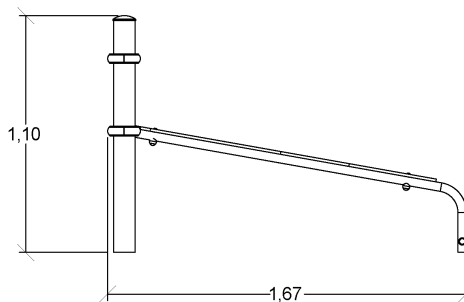
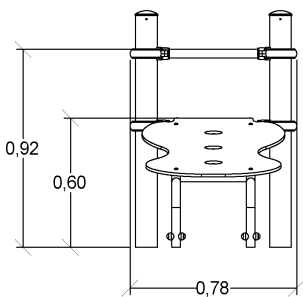


Sports formula



Muscular stimulation



► **Sports activities : 2**



Push-ups

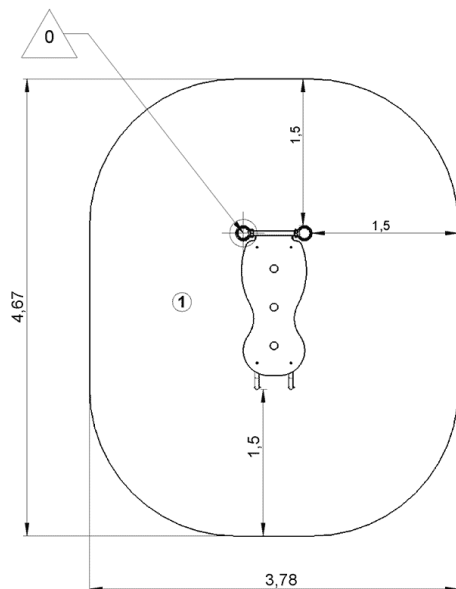
Abs





► Installation of equipment

IMPORTANT: It is essential to refer to the installation instructions for information on the size of the safety areas.

-  Impact area (minimum normative surface)
-  Free space



		
1	0,95m	16m²



2



02h00



0.3m³



16m²



63kg



14kg



► Environmental Indicators

Repairability



9,17 /10

Carbon footprint



3,56 KgCO₂/Kg

Recyclable materials



77,68%

ECO materials: 43%

Recycled materials



41,77%

Bio-sourced materials



2,23%